

RMB150 Interface Cable

Volamp Ltd, 12th November 2009

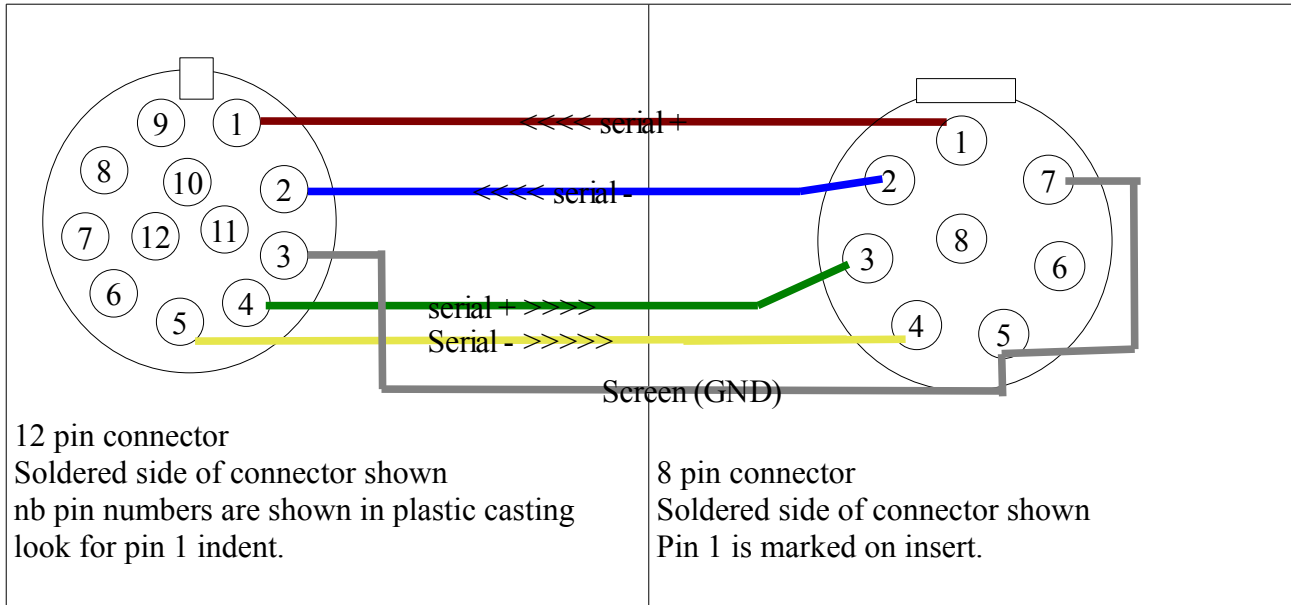
Introduction

This is a cable for connecting an RM-B150 remote control unit to a Sony camera via the Camlinx system.

Parts:

Location	Type	Ordering information	Quantity
Camlinx base	9 pin d male	Metal or plastic back shell is ok	1
Camlinx head	12 pin hiRose male	HR10A-10P-12P RS Part: 536-4810	1
RM-B150 and Camcorder	8 pin Hirose MXR series	MXR-8P-8P Farnell 1077731	2
Between Base and remote	Wire – 6 core screened 7/0.2	Farnell 1190257 (red blue yellow green black white)	2 meters or as specified in order to a maximum of 15M
Between head and camera	Wire – 4 core screened 7/0.2	Farnell 1190168 (Red, Blue, Green, Yellow)	350mm or as specified in order to a maximum of 15M

Cable 1:



Cable type

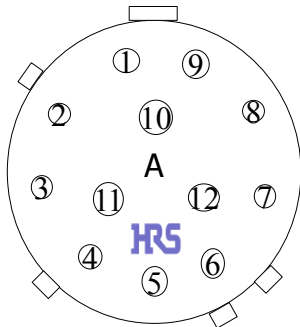
Wire – 4 core screened 7/0.2	Farnell order code 1190168
------------------------------	----------------------------

Cable assembly length: 350mm (between mating face of plugs) or as specified on order

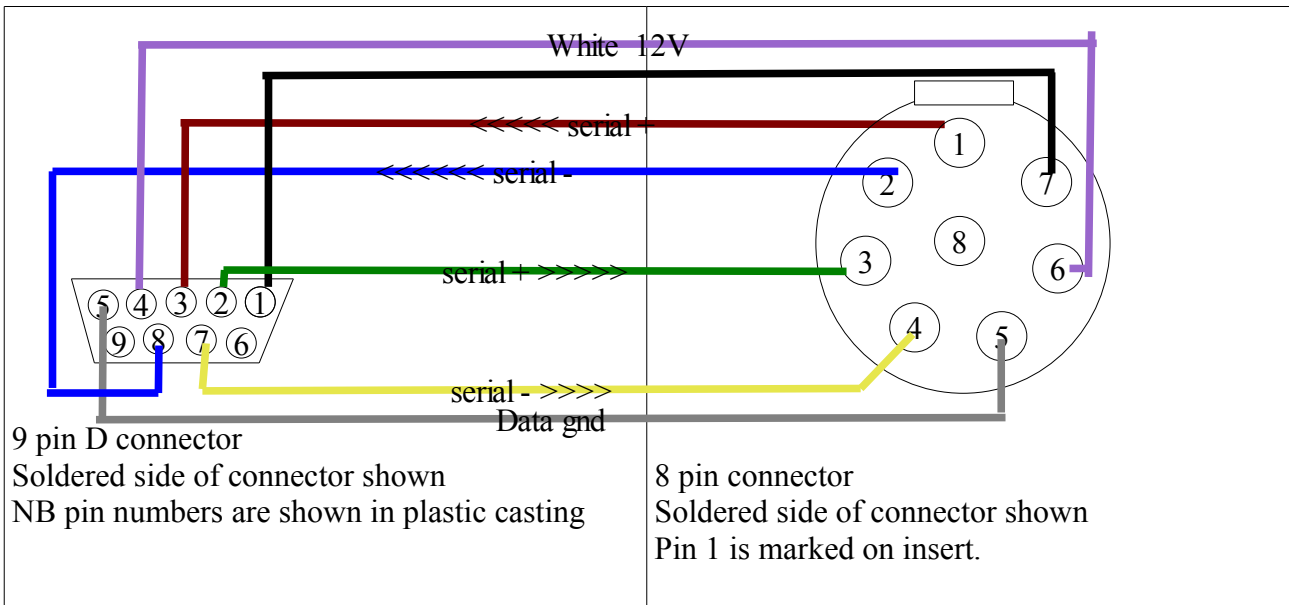
Inspection Note



The pin 1 keyway on the 12 pin connector is not visible once the connector is assembled: Pin locations markings and keyways looking into the plug from outside are shown:

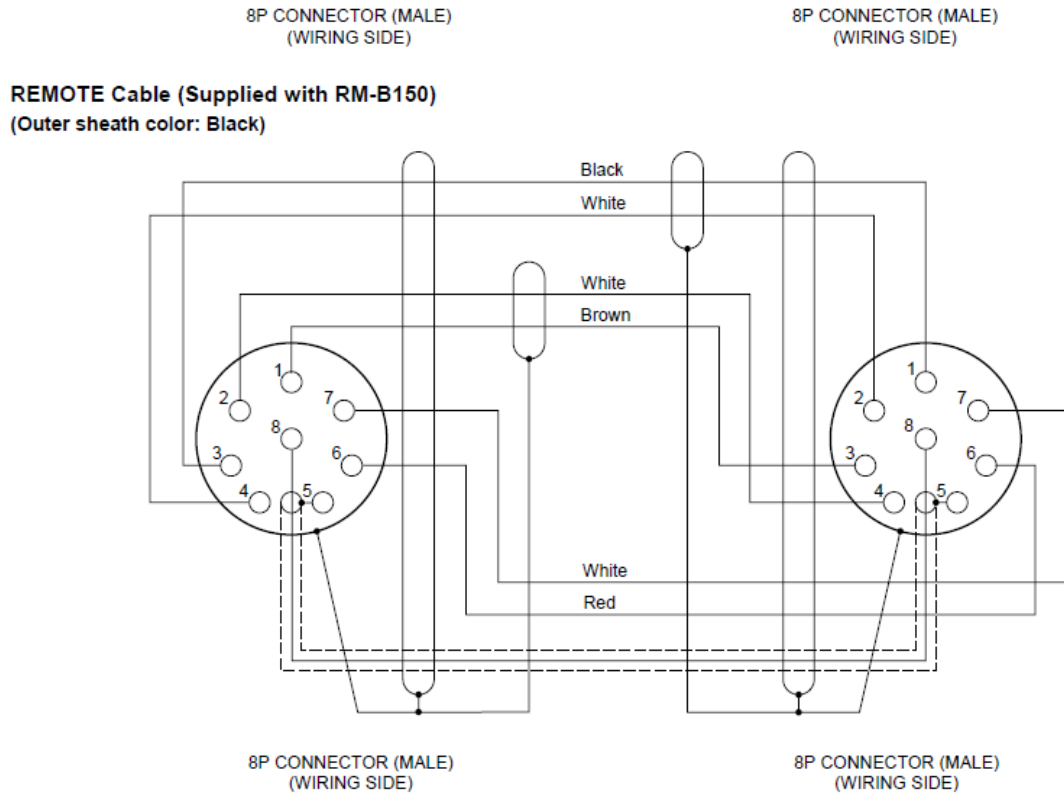


Cable 2:



References

From Sony service manual for BVP-9500 camera:



1-8 (E)

BVP-9500WS/9500WSP IMM

REMOTE (8P FEMALE)



(External view)

No.	Signal	Specifications
1	TX (+)	BVP SERIAL DATA
2	TX (-)	
3	RX (+)	MSU/RCP/CNU/VCS
4	RX (-)	SERIAL DATA
5	VIDEO (G)	GND for VIDEO
6	POWER (+) OUT	+12 V, 500 mA (MAX)
7	POWER (-) OUT	GND for +12 V
8	VIDEO (X) OUT	VBS 1.0 V p-p, $Z_0 = 75 \Omega$
	CHASSIS GND	CHASSIS GND

Pin out for socket (on camera)