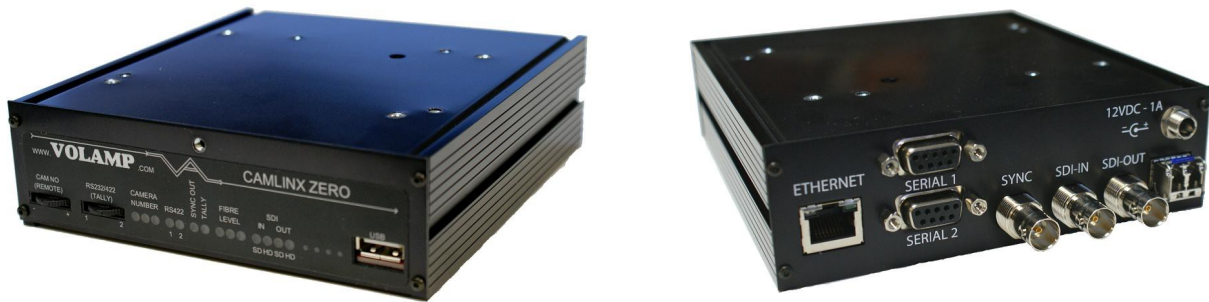
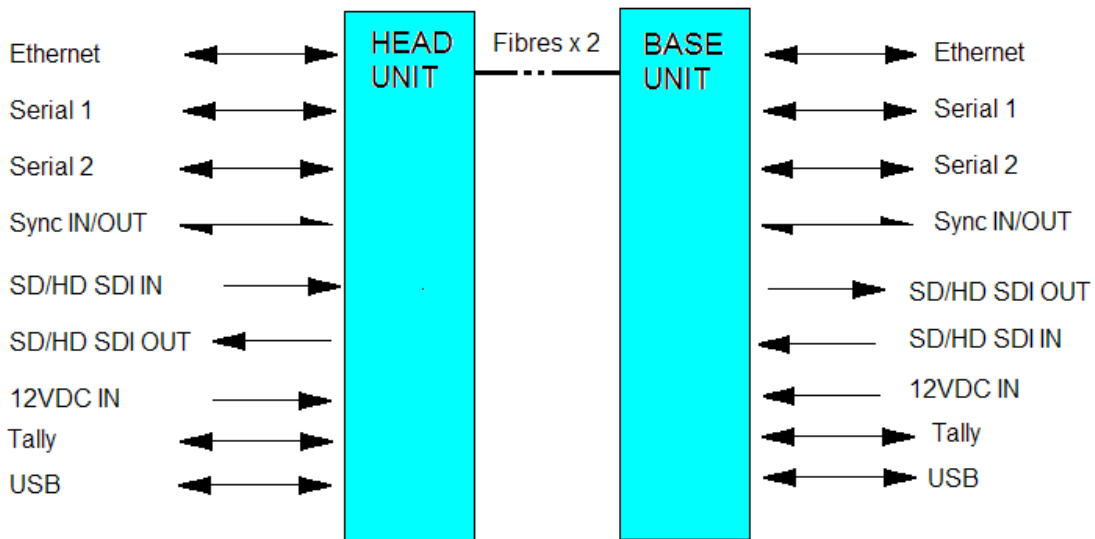


# Camlinx Zero



The Volamp Camlinx Zero system is a compact camera back fibre-optic system which gives users the ability to send and receive digital and analogue video and control signals over extended distances with reduced risk of interference. The system is particularly well suited to Stadiums, Auditoriums and unmanned locations.

The system is modular allowing the installer to build the system he requires in a very cost effective way. The head and the base units use the same hardware and there is a list of accessories (see end of document) to aid installation.



CAMLINX Zero : Block diagram

**Notes:**

1. Sync Format - Bi-level and Tri-level (Hi-def) syncs. are supported

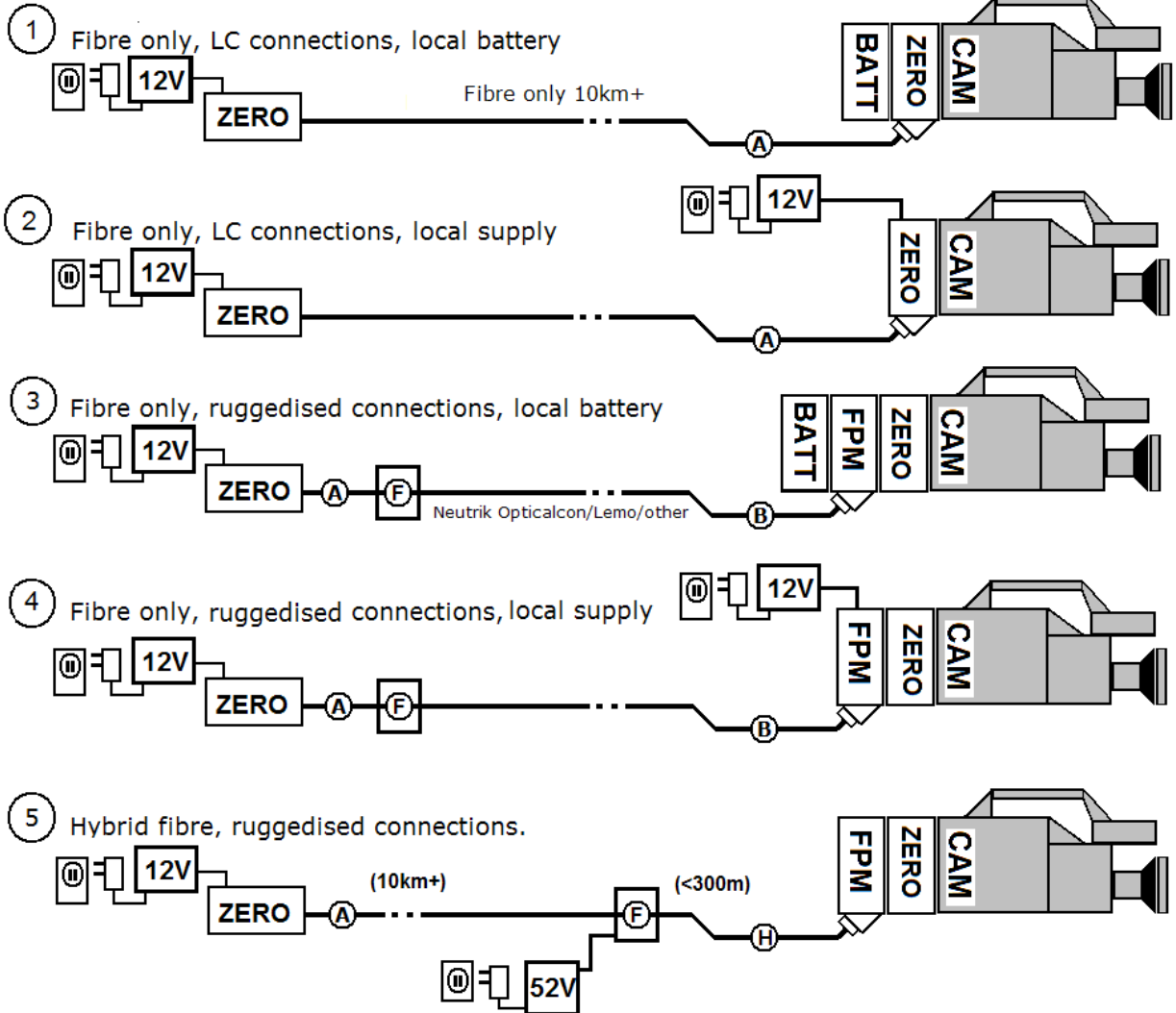
Full support for control signals is provided with two serial channels (RS232 and RS422) and an 10/100 Ethernet port which can also be used for internet connection. A tally/call button is also provided to enable users to quickly identify cabling and check connections.

#### Sync IN/OUT

This port on the head and base is self configuring as either an input or output. If the sync IN/OUT port on the base detects a signal (Genlock, CVBS) it will configure itself as an input and the sync IN/OUT on the head will be automatically configured as an output.

The sync IN/OUT port supports both bi-level and tri-level inputs.

## CAMLINX ZERO : Cabling Options



**FPM** Fibre Power Module

**12V** 12V Mains Adaptor

**52V** 52V Mains Adaptor (PSU-52V)

**A** Fibre only LC connections (10km+)

**B** Fibre only / ruggedised connections (10km+) (Neutrik / Lemo / other)

**H** Hybrid Fibre (Fibre + Power) (<300m) ruggedised connections

**F** Fibre Adaptor Box (FAB)

## Specifications

### Video - Digital

Interface Standards	SMPTE 259M (SD), 344M(ED), 292M(HD),
Data Rate (bps)	270M (SD), 1G5 (HD)
Impedance Input/Output	75R
Return Loss	Better than -15dB

### Video – Analogue

Interface Standards	NTSC, PAL, SECAM
---------------------	------------------

### Ethernet

Rate	10BaseT/100BaseT
Connector	RJ45

### Fibre Characteristics

Type	9um	Single Mode
Connector	Neutrik / Lemo (user specified)	

### Serial

RS232 or RS422	User select
----------------	-------------

### Sync

Bi-level / Tri-level	Automatic selection (SMPTE 294,296)
----------------------	-------------------------------------

**Dimensions L x B x D (mm) (note 1)** 144 x 138 x 41

**Weight (g) (note 1)** 465

**Power Consumption (Typical)** 10W

### Notes:

- 1 Without Battery Plates.

**Ordering Information**



**Camlinx Zero Unit**  
 (can act as a head or base)  
 (2 per system)

**Part Number : CAMZR-(M)**  
 M = Battery mounting options  
 AB – Anton Bauer, V – V Lock,  
 P – PagLok, N – none



**FPM** – Fibre Power Module

Attaches to Camlinx Lite or Zero.  
 Takes 52VDC from Hybrid cable and provides 12VDC for camera.  
 Provides fibre-optic cable and mains adaptor connectors.  
 Can provide 12VDC output for other devices.

**Part Number : FPM-(P)-(F)**  
 P = Battery mount options  
 AB – Anton Bauer, V – V Lock,  
 P – PagLok, N – none  
 F = Fibre connector  
 N – Neutrik L3K – Lemo 3K  
 LH – Lemo hermaphroditic  
 R – Rosenberger (fibre only)\*

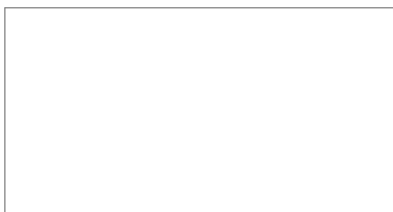


**FAB** – Fibre Adaptor Box

Connects LC fibre from the Camlinx unit to Neutrik or Lemo connectors.

Enables 52V onto the Hybrid cable from the power injector (PI).

**Part Number : FAB-(F)**  
 F = Fibre connector  
 N – Neutrik L3K – Lemo 3K  
 LH – Lemo hermaphroditic  
 R – Rosenberger\*



**1U Rack**  
 Suitable for mounting Camlinx Lite, Zero, FAB in an industry standard 19" wide, 1U high rack.

**Part Number : ENCL-1U19**



**PSU-52V** – 52V mains adaptor  
Supplies 52VDC to the fibre adaptor box when using Hybrid cable.

**Part Number : PSU-52V**

\*Rosenberger connectors are fibre only, no power.

**Contact Information:**

Volamp Ltd., Unit 3, Riverside Business Park, Dogflud Way, Farnham, Surrey  
GU9 7SS. UK

**Email :** [info@volamp.com](mailto:info@volamp.com) Tel : +44 (0)1252 724055

[www.volamp.com](http://www.volamp.com)