

Camlinx Lite

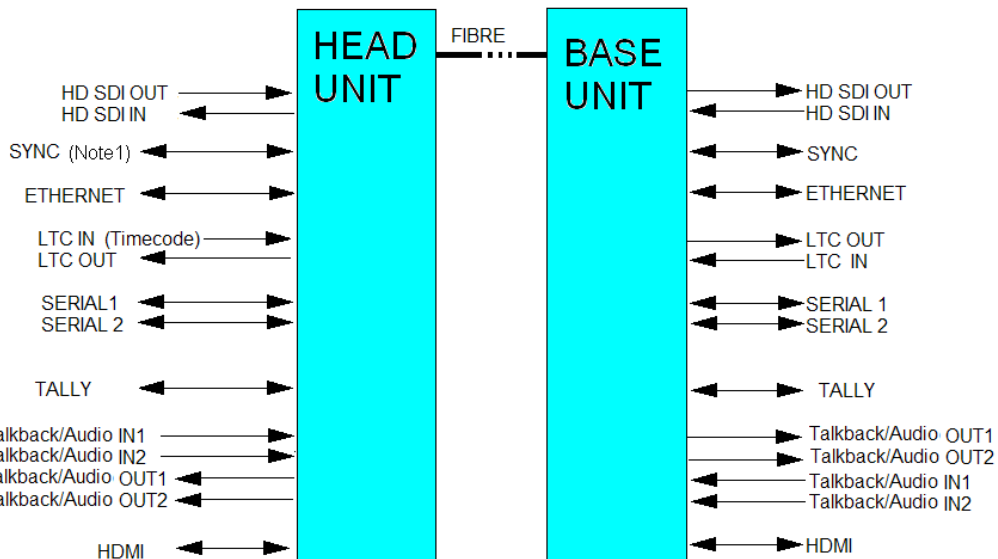


The Volamp Camlinx Lite system is a versatile mid range camera back fibre-optic system which gives users the ability to send and receive digital and analogue video, audio, and control signals over extended distances with reduced risk of interference.

The feature set and compact size of the system makes it attractive to operators especially in news gathering and interview situations where a robust link between a camera and vehicle or desk is required.

A key feature of the system are two audio channels that can be configured for talkback or programme audio depending on the situation. Full support for control signals is provided with two serial channels and an Ethernet port which can also be used for internet connection.

CAMLINX II - Lite

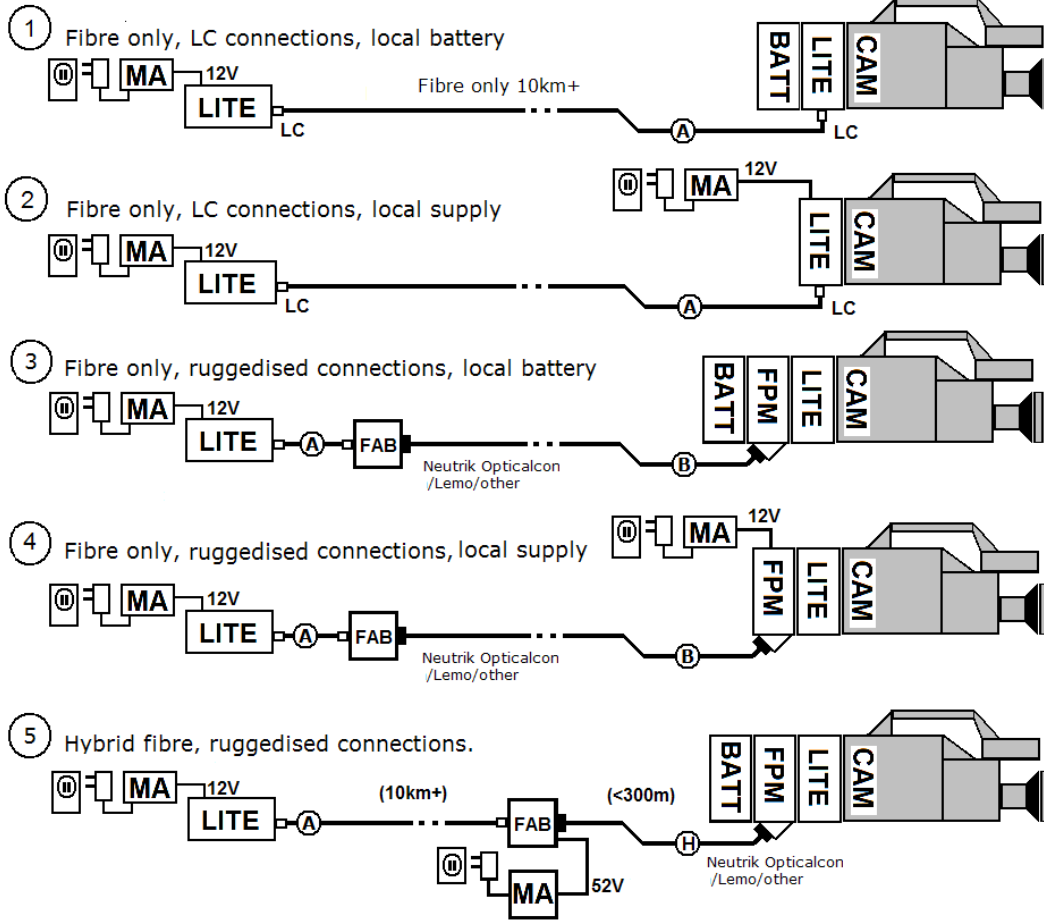


- Notes:
1. Sync Format - Bi-level and Tri-level (Hi-def) syncs. are supported
 2. Talkback available on Audio channels.





CAMLINX LITE : Cabling Options



FPM Fibre Power Module

MA Mains Adaptor
12V - PSU12V
52V - PSU52V

Connectors □ LC
■ Neutrik Opticalcon /Lemo/other

Ⓐ Fibre only / LC connections (10km+)

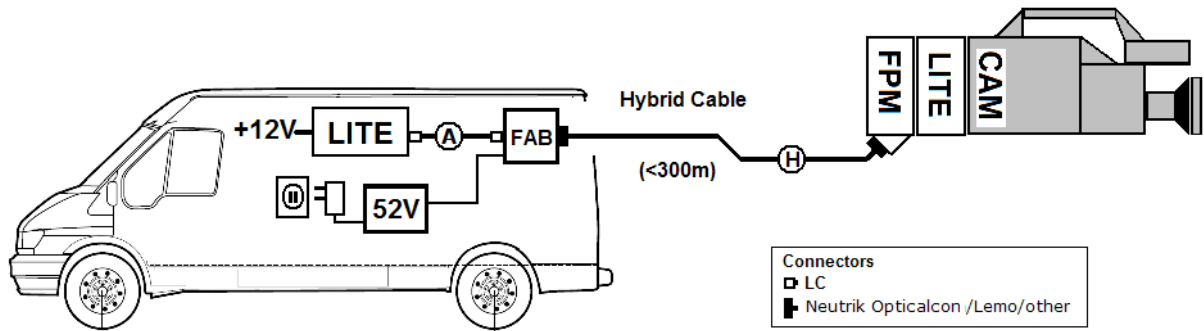
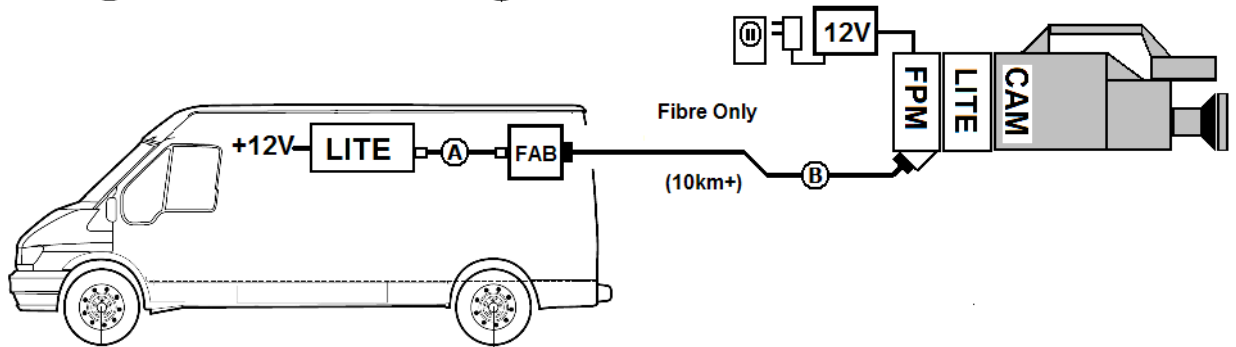
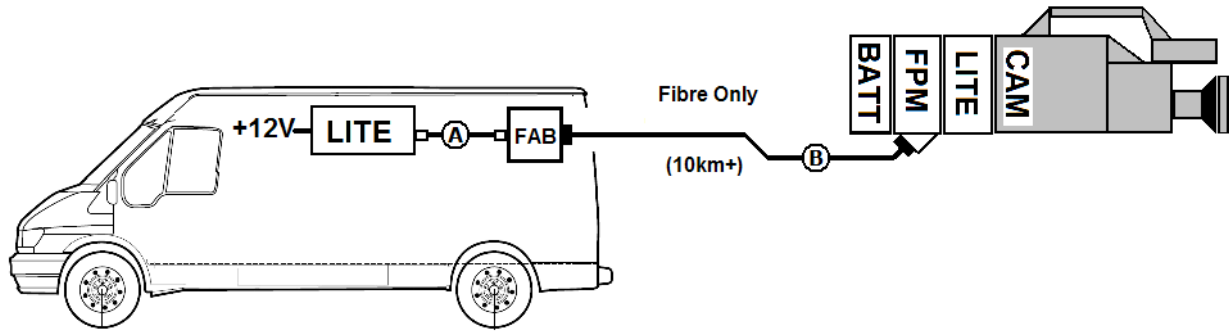
Ⓑ Fibre only / ruggedised connections (10km+) (Neutrik / Lemo / other)



Ⓗ Hybrid Fibre (Fibre + Power) (<300m) ruggedised connections

FAB Fibre Adaptor Box or FABW (Wall mounted)

Camlinx Lite

CAMLINX LITE : OB Truck configuration options



Connectors
 LC
 Neutrik Opticalcon / Lemo / other

- FPM** Fibre Power Module
- 12V** 12V Mains Adaptor (PSU-12V)
- 52V** 52V Mains Adaptor (PSU-52V)

- (A)** Fibre only / LC connections (10km+)
- (B)** Fibre only / ruggedised connections (10km+) (Neutrik / Lemo / other)
- (H)** Hybrid Fibre (Fibre + Power) (<300m) ruggedised connections
- FAB** Fibre Adaptor Box (FAB)

Specifications

Video - Digital

Interface Standards	SMPTE 259M (SD), 344M(ED), 292M(HD),
Data Rate (bps)	270M (SD), 1G5 (HD)
Impedance Input/Output	75R
Return Loss	Better than -15dB

Video – Analogue

Interface Standards	NTSC, PAL, SECAM
---------------------	------------------

Ethernet

Rate	10BaseT/100BaseT
Connector	RJ45

Audio / Talkback

Channels	2 input / 2 output
Electrical interface	Balanced line
Connector	XLR-5F
Adjustable Gain	+20dB
Frequency Response	±0.1dB (20-20Khz)
SNR	Min -65dB Typ -70dB

Fibre Characteristics

Type	9um Single Mode
Connector	Neutrik / Lemo (user specified)

Serial

RS232 or RS422	User select
----------------	-------------

Sync

Bi-level / Tri-level	Automatic selection (SMPTE 294,296)
----------------------	-------------------------------------

Dimensions L x B x D (mm) (note1) 144 x 183 x 41

Weight (g) (note1) 700

Input Voltage Range (12V) 8Vdc-14Vdc

Power Consumption (Typical) 10W



Notes:

- 1 Without Battery Plates.

Camlinx Lite



<p>Ordering Information</p>	
	<p>Camlinx Lite Unit (can act as a head or base) (2 per system)</p> <p>Part Number : CAML-(M) M = Battery mounting options AB – Anton Bauer, V – V Lock, P – PagLok, N – none</p>
	<p>FPM – Fibre Power Module</p> <p>Camlinx Lite or Zero. Takes 52VDC from Hybrid cable and provides 12VDC for camera. Provides fibre-optic cable and mains adaptor connectors. 12VDC output for other devices.</p> <p>Part Number : FPM -(M)-(F) 4K Version : FPM4K-(M)-(F) M = Battery mount options AB – Anton Bauer, V – V Lock, P – PagLok, N – none F = Fibre connector N – Neutrik L3K – Lemo 3K LH – Lemo hermaphroditic R – Rosenberger *</p>
	<p>FAB –Fibre Adaptor Box</p> <p>Connects LC fibre output from the Camlinx unit to Neutrik or Lemo connectors. Enables 52V onto the Hybrid cable from the PSU52V mains adaptor.</p> <p>Part Number : FAB-(F) F = Fibre connector N – Neutrik L3K – Lemo 3K LH – Lemo hermaphroditic R – Rosenberger *</p>

	<p>FABW–Fibre Adaptor Box(wall mount) Part Number : FABW-(F)</p> <p>52V mains adaptor Supplies 52VDC to the FAB for the Hybrid cable.</p> <p>Part Number : PSU-52V</p>
	<p>1U Rack Suitable for mounting Camlinx Lite, Zero, FAB and PSU in a 1U rack.</p> <p>Part Number : CAM-1U</p>
	<p>CABLE 52V Connects PSU52V to FAB</p> <p>Part Number : CAB-52V</p>

* Rosenberger connectors are fibre only (no power).

Camlinx Lite



Contact Information:

Volamp Ltd., Unit 3, Riverside Business Park, Dogflud Way, Farnham, Surrey
GU9 7SS. UK

Email : info@volamp.com Tel : +44 (0)1252 724055
www.volamp.com